

# Fillers, Tapes & Sealants Order Form

Email [roofsealants@brettmartin.com](mailto:roofsealants@brettmartin.com) or call **024 7684 1933**

COMPANY NAME ..... SITE CONTACT .....

ORDER NO ..... SITE CONTACT NO .....

ORDER DATE ..... DELIVERY OPTIONS ..... WEEK ENDING .....

COMPANY ADDRESS ..... STANDARD DELIVERY  DELIVERY ON .....

..... DELIVERY TIME:  PRE 10AM  AM  BEFORE 6PM

..... DELIVERY ADDRESS .....

TOWN .....

COUNTY ..... POSTCODE ..... TOWN ..... POSTCODE .....

TEL ..... COUNTY .....

FOR HELP WITH ORDERING AND PRODUCT LISTS PLEASE REFER TO THE DIAGRAMS OVERLEAF OR CONTACT SALES OFFICE ON 024 7684 1933

## STANDARD FILLERS

QTY	MANUFACTURER/PROFILE	COLOUR	FLUTE	OVERALL EXTENDED BASE	ADHESIVE PROFILE	ADHESIVE BASE	VENTED PROFILE	VENTED BASE

## RAKED FILLERS

QTY	MANUFACTURER/PROFILE	COLOUR	FLUTE	HANDING (LEFT/RIGHT)	ROOF SLOPE (DEGREES)	PLAN ANGLE (DEGREES)	NOTES
							Plan angle required for all HIP and VALLEY rakes
							Roof Slope required for ALL rakes

## TAPES/SEALANTS/ADHESIVE

QTY	COLOUR	DESCRIPTION CODE

CARRIAGE CHARGE

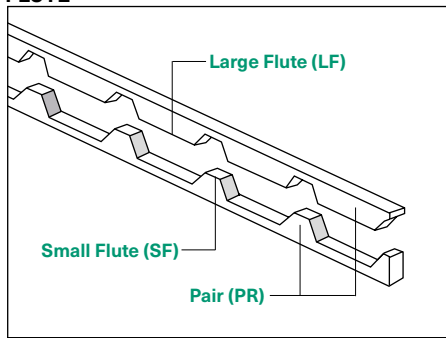
# Fillers, Tapes & Sealants Order Form

Email [roofsealants@brettmartin.com](mailto:roofsealants@brettmartin.com) or call 024 7684 1933

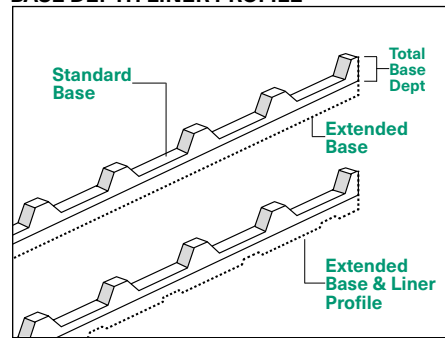
## PRODUCT LIST

MATERIAL	WIDTH	MATERIAL CODE	BLACK	WHITE	LICORICE	NEUTRAL
Standard Fillers PEL	25mm	0625	•	•	•	
	30mm	0630	•	•		
	50mm	0650	•	•		
Supaseal	25mm	1025	•	•		
	50mm	1050	•	•		

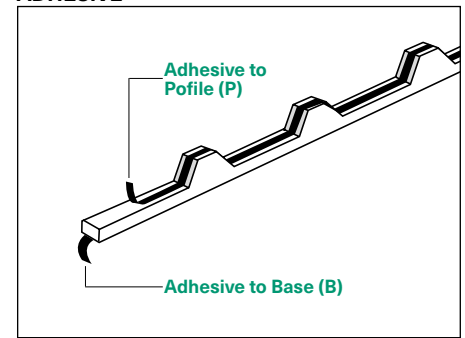
### FLUTE



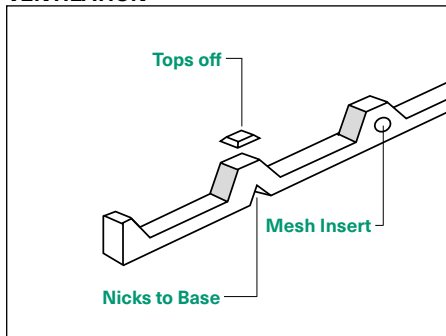
### BASE DEPTH LINER PROFILE



### ADHESIVE



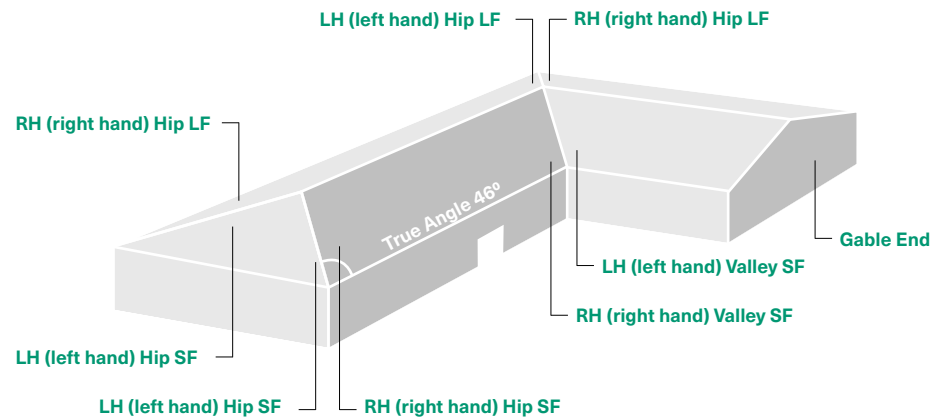
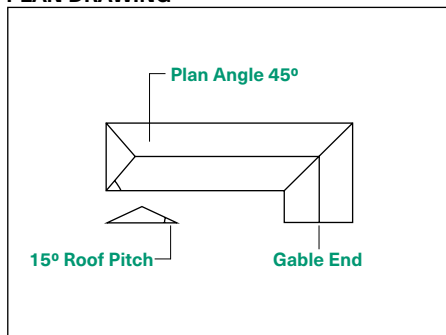
### VENTILATION



Either: Plan Angle° & Roof Pitch° & LF/LH  
or: True Angle° & LF/LH

We only use high performance butyl mastic.  
Guaranteed watertight when installed correctly

### PLAN DRAWING



Profile Finder

Use our app to find a profile: [brettmartin.com](http://brettmartin.com)